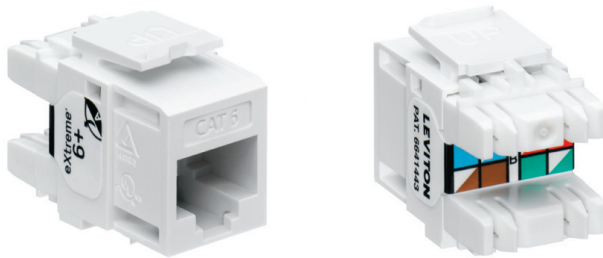


eXtreme® 6+ CAT 6 Connector

APPLICATION

Leviton's eXtreme® 6+ Connector is designed to be used with all Leviton QuickPort® compatible products. The connectors include Leviton's patented Retention Force Technology which promotes consistent performance over the life of the system. Includes unique pair separation towers allowing for quicker and easier terminations. The connector is configured in a 180° configuration such that the punch field is in the back, allowing for rear termination.



SPECIFICATION

The modular connector shall meet or exceed the requirements for channel and component-level performance described in TIA-568-C.2 Category 6 standards. The modular connector shall be individual snap-in style. The connectors shall also be in compliance with all National Electrical Codes; compliant with FCC Part 68; UL listed; and independently verified. In addition to Category 6 compliance, the connector shall have the ability to support high megabit and shared-sheath applications. All plastics used in construction of the connector bodies shall be fire-retardant with a UL flammability rating of 94V-0. Termination of all connectors shall be 110-type insulation displacement connectors (IDC). The connector shall provide a ledge directly adjacent to the 110-style termination against which the wires can be terminated and cut in one action by the installation craftsman. Connector wiring is universal and will accommodate installation color codes for T568A and T568B wiring schemes. The termination field shall be in the rear for easy access. The modular connector shall fit all other installed telecommunications wallplates, outlets and field-configurable patch panels and patch blocks.

FEATURES

- Terminates 26-22 AWG solid conductors
- Capable of multiple reterminations
- Gas-tight IDC connectors prevent corrosion
- Dual-layer T568B/T568A wiring label simplifies punchdown
- Patented Retention Force Technology protects tines from damage from 4- or 6-pin plugs
- Pair Separation Tower design facilitates separation of conductors
- Complies with TIA-568-C.2 requirements

DESIGN CONSIDERATIONS

- TIA channel performance limits total length of patching and equipment cords to 32 feet (10 meters) per TIA-568-C.2
- 14 colors for color-coding or organization

STANDARDS COMPLIANCE

eXtreme 6+ system components meet or exceed the requirements for channel and component-level performance for TIA Category 6, cULus Listed, NOM and ACA.

PHYSICAL SPECIFICATIONS

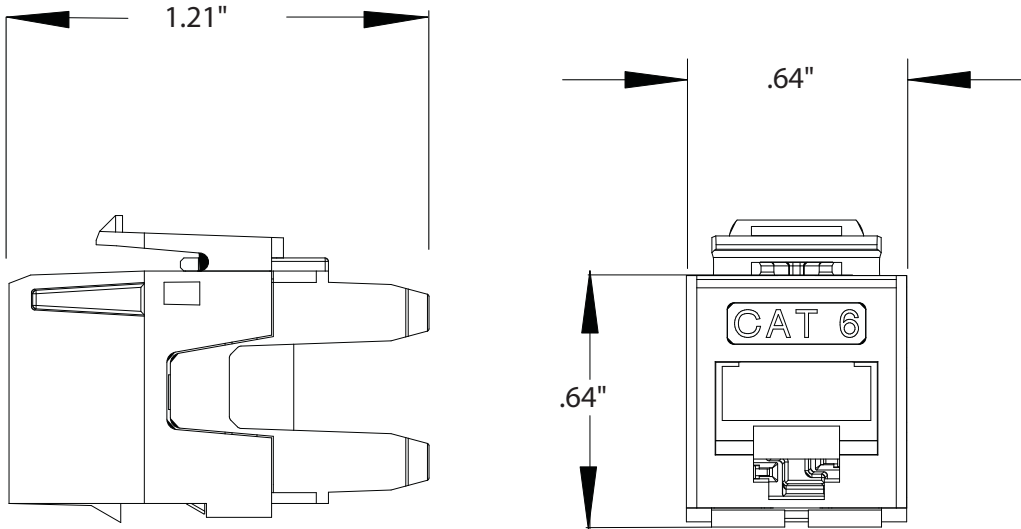
Dimensions: .64"H x .64"W x 1.21"D
Materials: Connector body is high-impact, fire-retardant plastic rated UL 94V-0. Spring wire contacts are high quality copper-based alloy, plated with 50 micro-inches of gold over 100 micro-inches of nickel for lowest contact resistance, maximum life.

WARRANTY INFORMATION

All components in a structured cabling system, including connectors, patch panels, patch cords, and cable are warranted by a single manufacturer. For a copy of Leviton product warranties, visit www.leviton.com.

ELECTRONIC FILES

For CAD files, typical specs, or technical drawings (.DXF, .DWG), visit www.leviton.com.



61110-Rx6

TIA-568-C.2 CAT 6 Parameter	Connecting Hardware Requirements	
	@ 100MHz	@ 250MHz
Insertion Loss (IL)	0.20	0.32
Near-end Crosstalk (NEXT)	54.0	46.0
Far-end Crosstalk (FEXT)	43.1	35.1
Return Loss (RL)	24.0	16.0
Transverse Conversion Loss (TCL)	28.0	20.0
Transverse Conversion Transfer Loss (TCTL)	28.0	20.0

*All requirements are minimum allowable except IL requirements are maximum allowable. Connecting hardware shall meet requirements of all parameters from 1-250 MHz. Values in above table are only at specific frequencies and are for references only.

PART NUMBERS

Description	Part No.
eXtreme 6+ Connector	61110-Rx6

x= Color choices: (W) White, (I) Ivory, (T) Light Almond, (A) Almond, (G) Grey, (E) Black, (O) Orange, (L) Blue, (C) Crimson Red, (Y) Yellow, (V) Green, (P) Purple, (B) Brown, (R) Dark Red.



Leviton Network Solutions 2222 - 222nd St. SE Bothell, WA 98021-4416 tel 1-800-824-3005 tel +1-425-486-2222 appeng@leviton.com www.leviton.com	Asia / Pacific T +1.631.812.6228 E infoasean@leviton.com	Canada T +1.514.954.1840 E pcservice@leviton.com	Caribbean T +1.954.593.1896 E infocaribbean@leviton.com	China T +852.2774.9876 E infochina@leviton.com	Colombia T +57.1.743.6045 E infocolombia@leviton.com
	Europe T +33.6.8869.1380 E infoeurope@leviton.com	India / SAARC T +91.80.4322.5678 E infoindia@leviton.com	Mexico T +52.55.5082.1040 E lsamarketing@leviton.com	Middle East & Africa T +971.4.886.4722 E lmeinfo@leviton.com	South Korea T +82.2.3273.9963 E infokorea@leviton.com