

Universal QuickPort[®] DIN Rail Module

APPLICATION

The Universal QuickPort DIN Rail Module offers a connection point in the cabling subsystem and is suitable for deployment in residential, industrial and enterprise structured cabling systems. The module easily snaps onto a DIN rail. Multiple modules can be aligned horizontally in a row and the angled direction of the jacks eases patch cord bending stresses while maximizing performance.



SPECIFICATION

Leviton Universal QuickPort DIN Rail Module shall provide fixed mounting of a single port to 35 mm EN60715 compliant DIN rail. The module shall be composed of a shuttered hinged housing and integrated bonding spring for maintaining shield integrity. Two side covers shall be included. Plastic components shall be composed of high impact plastic rated UL 94V-0. Modules shall be compatible with all Category rated QuickPort jacks and shall be gangable when mounted with adjoining side covers removed. Module shall be compliant with ANSI/TIA-568 standards.

FEATURES

- Compatible with Leviton-approved QuickPort data jacks and Plus Snap-In data jacks, both shielded and unshielded
- Port protected with shutter door
- Detachable side covers
- Tool-free installation
- Integrated grounding clip
- Label identification window
- All packaging is paper based and fully recyclable

DESIGN CONSIDERATIONS

- Attaches to EN60715 compliant DIN Rail (35 mm x 7.5 mm and 35 mm x 15 mm)
- Supports simplex SC and duplex LC fiber with 900 µm buffered fiber or jacketed Uni-boot (round) cordage when shutter door is removed

STANDARDS & REGULATIONS

- cULus Listed (UL 1863 & CAN/CSA-C22.2 No. 182.4)
- ANSI/TIA-568

MECHANICAL SPECIFICATIONS

Dimensions:	Width (covers removed): 0.71" (18 mm)
	Width (covers installed): 0.83" (21 mm)
	Depth: 2.73" (69.23 mm)
	Height: 2.78" (7.50 mm)
Materials:	High Impact Plastic rated UL 94V-0
	Type 301 Stainless Steel (Bonding Spring/Clip)
Temperature (Storage):	-40°C to +70°C
Temperature (Operating):	-10°C to +60°C

COUNTRY OF ORIGIN

Taiwan

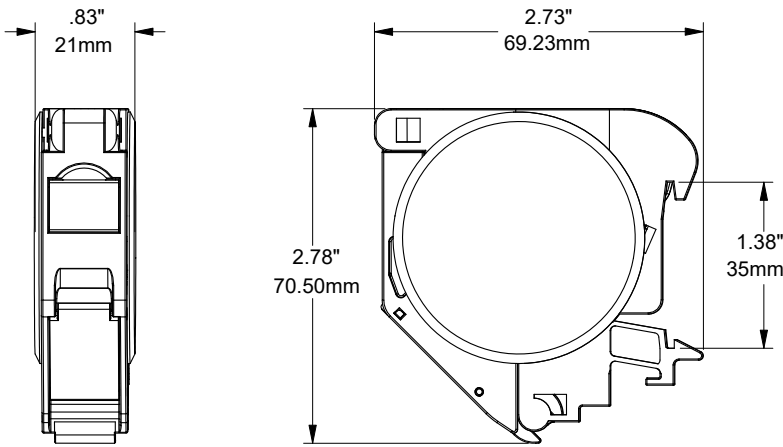
WARRANTY INFORMATION

For Leviton product warranties, go to leviton.com/ns/warranty

42089-1DN

PRODUCT SPECIFICATIONS
42089-1DN

42089-1DN



PART NUMBER

Description	Part No.
Universal QuickPort [®] DIN Rail Module, gray	42089-1DN

For further support information, visit leviton.com/ns/support

Page 2 of 2

USA
 Network Solutions Headquarters
 +1 (800) 722 2082
infoUSA@leviton.com
 Leviton Berk-Tek Cable: +1 (800) 237 5835
berktek.info@leviton.com

Asia Pacific
 +852 3620 2602
infoAPAC@leviton.com

Canada
 +1 (800) 461 2002
infoCanada@leviton.com

Europe
 +44 (0) 1592 772124
infoEurope@leviton.com

Latin America
 MX: +52 (55) 2128 6286
 LATAM: +52 (55) 2333 5963
infoLATAM@leviton.com

Middle East & Africa
 +971 (4) 247 9800
infoMEA@leviton.com

NETWORK SOLUTIONS PRODUCTS ARE AVAILABLE WORLDWIDE IN OVER 100 COUNTRIES. VISIT US ONLINE AT LEVITON.COM/NS TO LEARN MORE.